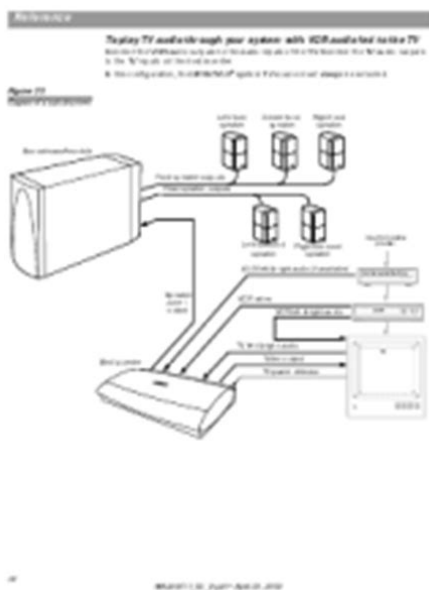


bose lifestyle 28 manual download



File Name: bose lifestyle 28 manual download.pdf

Size: 3666 KB

Type: PDF, ePub, eBook

Category: Book

Uploaded: 6 May 2019, 17:26 PM

Rating: 4.6/5 from 686 votes.

Status: AVAILABLE

Last checked: 5 Minutes ago!

In order to read or download bose lifestyle 28 manual download ebook, you need to create a FREE account.

[Download Now!](#)

eBook includes PDF, ePub and Kindle version

[Register a free 1 month Trial Account.](#)

[Download as many books as you like \(Personal use\)](#)

[Cancel the membership at any time if not satisfied.](#)

[Join Over 80000 Happy Readers](#)

Book Descriptions:

We have made it easy for you to find a PDF Ebooks without any digging. And by having access to our ebooks online or by storing it on your computer, you have convenient answers with bose lifestyle 28 manual download . To get started finding bose lifestyle 28 manual download , you are right to find our website which has a comprehensive collection of manuals listed.

Our library is the biggest of these that have literally hundreds of thousands of different products represented.



Book Descriptions:

bose lifestyle 28 manual download

Manufactured under license from Dolby Laboratories. "Dolby" and the doubleD symbol are trademarks of Dolby Laboratories. Note Because DVD is a relatively new technology, please take the time to read through this manual and familiarize yourself with the features of your new system. Technically called a part of title PTT. The MPEG2 encoding system used by DVD is based on color difference component digital video. Simply press the desired button. You do not need to aim the remote at the media center. Note Some types of buildings create "dead spots" where the remote will not operate. Move the remote a foot or two and try again. Figure 2 Twenty characters display system messages and source-related information. Elements of the media center display SLEEP ZONE1 2 STEREO SETTINGS SHUFFLE REPEAT Note When you make changes using the onscreen display on your TV, the changes may not appear simultaneously on the media center's display. Turn on your component directly or by using its remote control. An infrared IR emitter is included behind the media center display to communicate with any component your remote is programmed to control. The displayed menu will contain items related to the currently selected source. For example, if you press the Settings button while watching a DVD, you will see a menu similar to the one in Figure 3. To exit the settings menu and clear it from your TV screen Press the Settings button again. Figure 5 shows you a map to the DVD Play Options menu. Figure 6 shows you a map of the CD settings menu. Figure 7 shows you a map of the FM settings menu. Figure 8 shows you a map of the AM settings menu. Mono Decoding Automatically engages Bose Digital bitstream indicates that it contains a mono program. In 2-speaker mode "" appears instead of a numeric value. Audio Status Displays system audio information. The example in Figure 11 shows you a DVD audio status. Using the down arrow button to display the System Setup menu. <http://www.widerbet.pl/userfiles/command-line-manual-mac.xml>

- **bose lifestyle 28 manual download, bose lifestyle 28 manual download, bose lifestyle 28 manual download free, bose lifestyle 28 manual download 2017, bose lifestyle 28 manual download pdf, bose lifestyle 28 manual download windows 7.**

Figure 12 Map of the System Setup Menus Settings Mute. Provides the correct output variable level at the SPEAKER ZONE 2 connector for Bose powered speaker systems Acoustimass 5P and Acoustimass 20P. How do I set up a second remote to control zone 2 1. Slide the cover back on the remote and snap it closed. Figure 16 Opening the remote control battery compartment. See "Making audio center speaker adjustments". Contacting customer service For additional help in solving problems, contact Bose Customer Service. See the address and phone number list included with your system. We have 8 Bose Lifestyle 28 manuals available for free PDF download Installation Manual, Operating Manual, Owners Manual. Learn more or change settings here. Just type your request below Quick tip Try searching for just one or two words e.g., connection help. WARNING To reduce the risk of fire or electric shock, do not expose the system to. Page 3 Important Safety Instructions. Refer all servicing to qualified service. Page 4 Important Safety Instructions Page 5 Contents Welcome. Page 8 Introduction. Technically called a part of title PTT. The remote control Page 11 Controls and Indicators Page 12 Controls and Indicators. Media center controls and indicators Page 13 Controls and Indicators. Media center display window Page 14 General System Operation General System Operation. Turning your system on and off. Page 15 Playing a Video DVD Playing a Video DVD. Before you play your first DVD Page 16 Playing a Video DVD Page 17 Playing an Audio CD Playing an Audio CD. Playing an audio CD. Turning the radio on. Erasing a station preset Controlling external sources The first 4-digit device code is shown. Using the settings

menusPage 25 Changing System Settings. Changing DVD play optionsPage 26 Changing System Settings. Changing CD settingsPage 27 Changing System Settings. Changing FM settingsPage 28 Changing System Settings. Changing AM settingsPage 29 Changing System SettingsPage 30 Changing System Settings.<http://koppeika.ru/userfiles/command-hq-manual-download.xml>

Making audio adjustmentsFigure 10 shows. Page 31 Changing System Settings. Menu Item Settings What each setting does. Page 32 Changing System Settings. Changing the system setupPage 33 Changing System SettingsMenu Item. Page 34 Changing System SettingsPage 35 Changing System SettingsPage 36 Reference Reference. Changing the house code settings. Page 37 Reference. Setting up a second listening zone. Page 38 ReferenceReplacing the remote control batteriesProblem What to do. Page 41 Reference. Problem What to do. FM sound is. Page 42 Reference. Technical informationAccessoriesThe Mountain, Framingham, MA 017019168 USA. Page 3 System Information. Serial numbers are located on the bottom of the media center and the bottom panel of the. Page 4 ContentsBefore you beginEnglishCables and accessoriesFigure 2. Cables and accessoriesPage 9 System Installation. Figure 4. Cube speaker array place Center modulePage 12 System Installation. Page 13 System InstallationPage 14 System InstallationPage 15 System InstallationPage 16 System InstallationPage 17 System Installation. Connecting your TV to the systemPage 18 System InstallationPage 19 System Installation. Connecting the system to powerPage 20 System InstallationFinishing the basic installationPage 22 System InstallationEnglish. Page 23 System Installation. Page 24 ReferenceEnglishPage 25 Reference. Connecting your VCR to the systemPage 26 Reference. EnglishPage 28 ReferenceTo play, select that. Page 29 Reference. Connecting other componentsPage 30 ReferenceEnglishPage 31 Reference. Other jacks on the media center panelPage 32 ReferenceEnglishPage 34 ReferenceEnglish. Page 35 ReferenceFramingham, MA 017019168 USA. Region numbers. Region numbers are assigned to DVD players and discs according to where they are sold. Look for the region number marked on the carton or on the bottom of the media center. System connection diagram Left front speaker Center front speaker Right front speaker. Left surround speaker.

Right surround speaker. Cable TV or satellite inputSVideo cable. Component video adapterLeft surround. Right surround. Center speaker placement. The sound from the center speaker should appear to come directly from the center of the picture. Note Before you start making system connections, make sure that the media center, the Acoustimass module, and any additional equipment are not connected to AC power. Making a plugin cable speaker connection. In a plugin cable connection Figure 8, the positive and negative wires are oriented to ensure proper polarity. Figure 8. A plugin cable type speakerSpeaker connections to the Acoustimass module. Connect the Acoustimass module to the media center with the audio input cable Figure 10. Experiment with the orientation of the loop for optimum AM reception. Connecting to a cable radio provider. Some cable TV providers make FM radio signals available through the cable service to your home. The media center provides audio and video connections for your TV. See Figure 12. Making audio connectionsMedia centertoTV video and audio connections. Note Component video jacks are often colorcoded and it is essential that you match the colorcoded connections with the cables. Figure 13. Component video adapter connections Media Center. Media center rear panelPower connection of the Acoustimass modulePlug the small round connector of the media center power supply cable into the DC POWER jack on the back of the media center Figure 19. Insert the power supply line cord connector into the power supply and plug the cord into an AC mains outlet. To play VCR audio not TV audio through your system. Connect the VCR audio outputs to the TV or VCR inputs of the media center as in Figure 1 on page 5, but do not connect the TV audio outputs. Connect the TV audio outputs to the TV inputs on the media center. Diagram of a typical system Left front speaker Center front speaker Right front speaker.

The rear panel of the media center provides input TAPE and output RECORD connections for a

cassette tape deck. Figure 25 To use the emitter 1. Figure 27. Optional IR emitter cable connection to the media center. Please do not offer the downloaded file for sell only use it for personal usage. Looking for other manual For this no need registration. May be help you to repair. You could suffer a fatal electrical shock. Instead, contact your nearest service center. Note! To open downloaded files you need acrobat reader or similar pdf reader program. In addition, Also some files are djvu so you need djvu viewer to open them. These free programs can be found on this page needed progs If you use opera you have to disable opera turbo function to download file. If you cannot download this file, try it with CHROME or FIREFOX browser. Basszus vegfoka 23mp mulva megfut vagy pozitivba vagy negativba ha nincs a hangszoro rarakva, hangszoroval azonnal letilt, amikor a kimeneten eljut DC 4Vig a vedelem lekapcsolja relevel az erositot. Mikor a MUTE hibát kerestem, volt olyan eset is, hogy nem futott meg a kimenet és szolt a basszus rendesen, de ujboli bekapcsolaskor ha nem halkítottam le a potit akkor kikapcsolt a rele, ha lehalkítottam akkor jó lett, de nagyon susogott, arra hasonlított mint amikor FM radio nincs az allomason, van egy kozos mute tranzisztor az kapcsolja az osszes tobbit, ha azt kiszedtem akkor is megmaradt a susogas, szerintem visszafele jott valamelyik oldalrol ezert szedtem ki mindegyik oldalrol a tranzisztorokat, nem akartam bajlodni vele, hogy honnet jon a susogas vissza. Mi lehet a gond Bose Lifestyle CD20 FLC kijelzo halvány Sziasztok! A fenti keszuleknek halvány a kijelzese. Eleg erdekesen van megoldva a kijelzo tapfeszese, sokban fugg a bejovo 12VAC feszultsegtol. Kerdesem az lenne, hogy a futest probaljam emelni, vagy a 24Vot. A D8on a 30V is kevesebb, de az AC 4.5V is. Melyik befolyasolja jobban a fenyerot.

A futes, vagy a negativ tapfesz UdV Jacint BOSE bekotesi rajz Legyszi legyszi ha valaki tudnasegiteni egy BOSE AMP2440as erosito bekoteseben, azt nagyon szepen megkoszonem. Ez AUDI A3asbol van, a stecker nincs meg. Bose Sounddock 1 tapegyseg csati Sziasztok. Egy baratom megkert, hogy talaljak vagy gyartsak egy tapegyseget a Bose dokkolohoz. Sajnos az eredetiket aranyarban adjak, igy gyartanom kell egyet. Talaltam is egy elegans kis 4 pines csatit, de fennakadtam az eredeti csatlakozo labkiosztasan. Talaltam egy rajzot de nem tudom eldönteni, hogy a kabeleken levot abrazolja, vagy a dokkoloban levot. Ha valakinek dolga volt ilyennel, és tudna segiteni, kerem ne tartsa vissza magat. Koszonom.. Similar manuals You can write in English language into the forum not only in Hungarian. Click here for more information on the types of cookies we use and how to change your cookie settings. Just type your request below Quick tip Try searching for just one or two words e.g., connection help. And by having access to our ebooks online or by storing it on your computer, you have convenient answers with Bose Lifestyle 28 Manual. To get started finding Bose Lifestyle 28 Manual, you are right to find our website which has a comprehensive collection of manuals listed. Our library is the biggest of these that have literally hundreds of thousands of different products represented. I get my most wanted eBook Many thanks If there is a survey it only takes 5 minutes, try any survey which works for you. With the support of this type of ballast, you can get the flexibility to select unique colours for your room to achieve its specific lighting effect. But, replacing this fixture is also quite essential since its installed within the home. Because of this, it is very important to identify which wire goes where when you will have the ability to replace the fluorescent ballast.

Here are the steps on how to replace a fluorescent ballast wiring diagram so you wouldn't have any complications in using this gadget. To start with, you want to take out the bulb of this fluorescent ballast out of its casing so you can identify the wires which would come off when you'll have the ability to remove the casing. It would not take long before you will have the ability to identify all the wires that are connected to each other. When you will be able to identify all of the cables, you'll have the ability to replace them with the given instructions that are included from the ballast. As soon as you've discovered the wires which are connected to each other, you need to now join them to each other with the right connection and set up fuses. Now, you need to spot the red wire and the green wire to its own corresponding places so that you can properly change its present to the power supply. These wires are the real ones that are connected to the ballast power supply so that you

would be able to turn the ballast off and forth at times. You need to connect the green wire to the ballast power supply to the ballast terminal that's situated below the panel. When you have connected the power supply, you can now connect the red wire to the ballast power supply terminal. You can now pull the insulation away from the black electric cable that comes off from the ballast. When you've done this, you should then connect the black wire to the ballast power source terminal so that you can turn it on. To ensure that everything is connected properly, you need to first remove the two pins from the ballast and ensure that they are tight against each other. When you have done that, you must now join the ballast terminals and then you need to make certain the connections between these are tightened so the ballast power source is shut down. Now, you should now try to conduct the fluorescent ballast cable to test it out.

If everything went well, you should now have the ability to spot the required wiring diagram which you want to have the ability to replace the electrical ballast so that you would not have to be worried about it anymore. So, be certain to identify all the probable areas of this fluorescent ballast wiring diagram so you would not have any difficulty in completing the task of replacing the electrical ballast. However, the areas of the brain which are responsible for vision are rather different from 1 individual to another. To be able to answer the query, what parts of the brain control vision. You have to understand what regions of the brain control eyesight in all people. You will also have to understand the difference between normal vision and something called amblyopia. Vision is the ability to see objects in a special form. By way of example, you can observe a thing as black and white or as red and green. When you find a thing as it is, that is to say as it is compared to watching it in black and white, you still are able to distinguish colours. The main part of the brain that handles eyesight is known as the visual cortex. It's responsible for seeing colours. Obviously, you cannot see as well as you hear or see with your eyes although the brain is able to combine colors together to make an image of the item. The following part of the brain is that the oculomotor region. This can also be in the top of the mind, but it is more than likely lower compared to the adrenal gland. It's a component of their brain that controls hand movements. Because it's part of the brain, you cannot use it to control the functions of your eye. The last area of the mind is the memory center. This can be situated in the rear of the mind on the left side. It's located in the exact same area your thyroid gland is situated. The brain controls vision by moving the eyes and seeing objects with them. If you are born with naturally poor vision, you have a chance to enhance it.

Your brain is the reason you were born with the illness. If you're looking for answers to the question, how do I know what parts of the brain control eyesight. Then you'll have to read up about different areas of the brain so you can find out how your brain really regulates the functions of your eye. Learn more Learn more Contact us. Be sure to watch it till the end! Simply secure. Easy for sure. The easy always anywhere access See for yourself We also offer a wide range of special security technologies to increase system security and ensure the protection of privacy. MOBOTIX cameras are among the world's most secure. You can choose which kind of news are important for you. Its warehousing and logistics facility near Auckland Airport, New Zealand, has seen significant growth in recent years and often handles in excess of 2,000 items in a day. As a customs bonded warehouse, the location is subject to strict security requirements. Discover new ideas and inspirations from members of MOBOTIX's executive team, various Technology Partners offering innovative integrations, and network with other MOBOTIX Partners like yourself. Please be discreet. They could be your neighbors or someone you know. Do you agree to keep the identity of these women a secret The women have requested that we not let those younger than 18 contact them because of past rude behavior by younger men. Again, please keep their identity a secret.